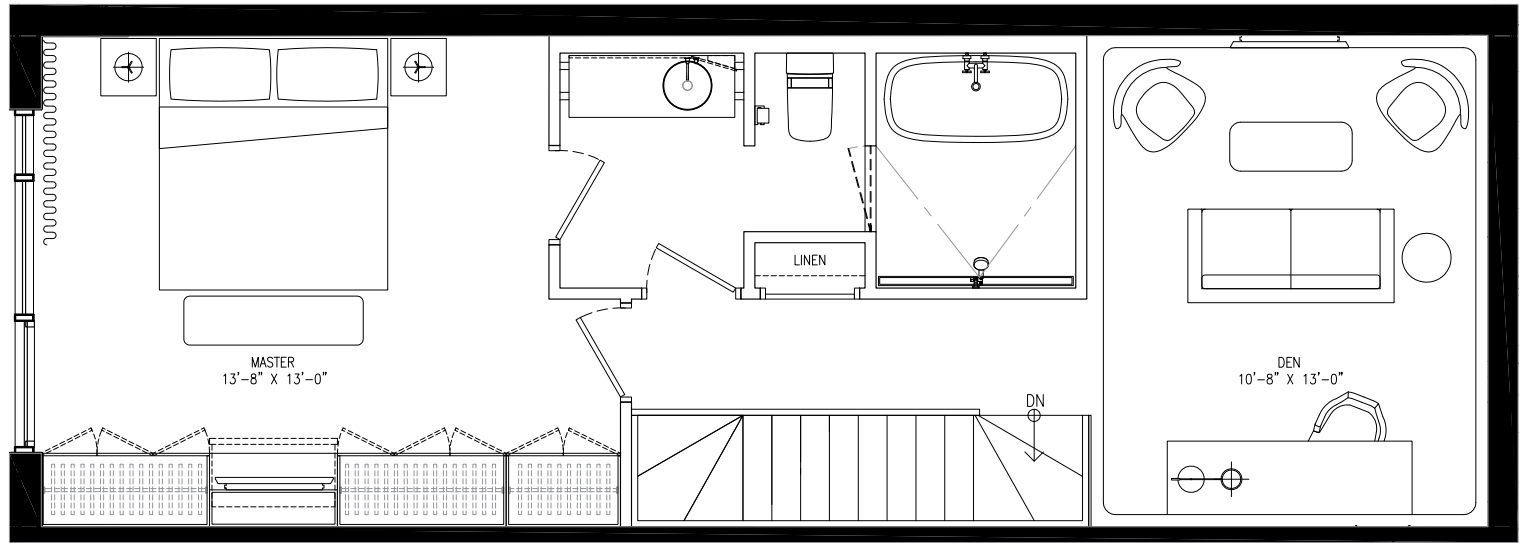


# CABIN

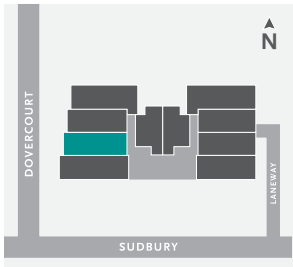
## 302

1 BEDROOM + DEN

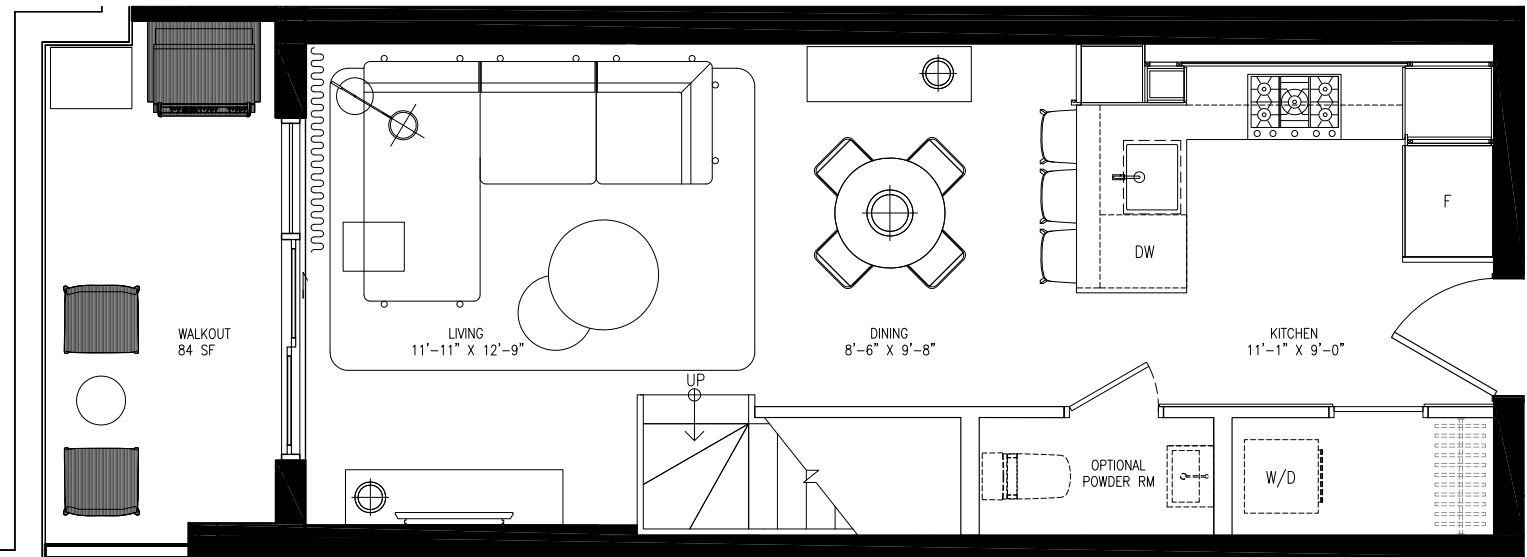
INTERIOR SQ FT 1,063  
 EXTERIOR SQ FT 84  
**TOTAL SQ FT 1,147**



BEDROOM LEVEL



SITE MAP 3<sup>RD</sup> FLOOR



LIVING LEVEL



Specifications, sizes and architectural details are approximate only, and subject to modification. Furniture is for illustration only, and not included. Actual usable square footage may vary from what is stated. Window and door locations may vary from what is shown. E.&O.E. 2015.